



# ACT9020 20ft Container Tilter

## Efficient, Fast and Safe

Fill containers quickly, easily and safely with the versatile Alert 20 ft Container Tilter. Designed for the specific demands of the recycling industry the Alert Tilter will revolutionise your scrap loading facility. Made in New Zealand by Alert Engineering it has many advantages over the competition:

- Containers can be loaded and unloaded onto the tilter by fork hoist - No delays waiting for a truck to arrive
- Side-lift trucks can load directly onto the tilter - Fast and efficient
- Hydraulic door opening and closing - Doors can be closed before the container is lowered
- Integral safety ladder and platform - Allows safe clearing of stray material, inspection of the load and locking of doors before the container is lowered

### Structure

Designed and built by Alert Engineering - leaders in scrap recycling machinery for over 35 years.

- Made from heavy section steel to withstand years of hard use
- All pivoting parts have grease points and are replaceable for easy maintenance
- Rigid base structure for ease of transport and stable operation

### Hydraulic systems and controls

- Leading brand hydraulic components including Aeroquip hoses for maximum reliability
- High capacity hydraulic pumps for fast and reliable operation
- Simple to operate with minimal training
- Remote control operation
- Hydraulic powered container locks for safety and ease of use

### Inspection platform

- Guard rails and harness connection loops for operator safety
- Safely inspect and record contents before closing doors for export requirements
- Safely clear scrap from around door seals before closing
- Operator can lock doors in place to prevent spillage when lowered
- Ladder with safety cage allows safe access to and from the platform when tilted to 90 degrees

### Options

- Diesel or electric power options - Choose the most suitable solution for your site
- Weigh scales - Maximise your container loads without the risk of overloading



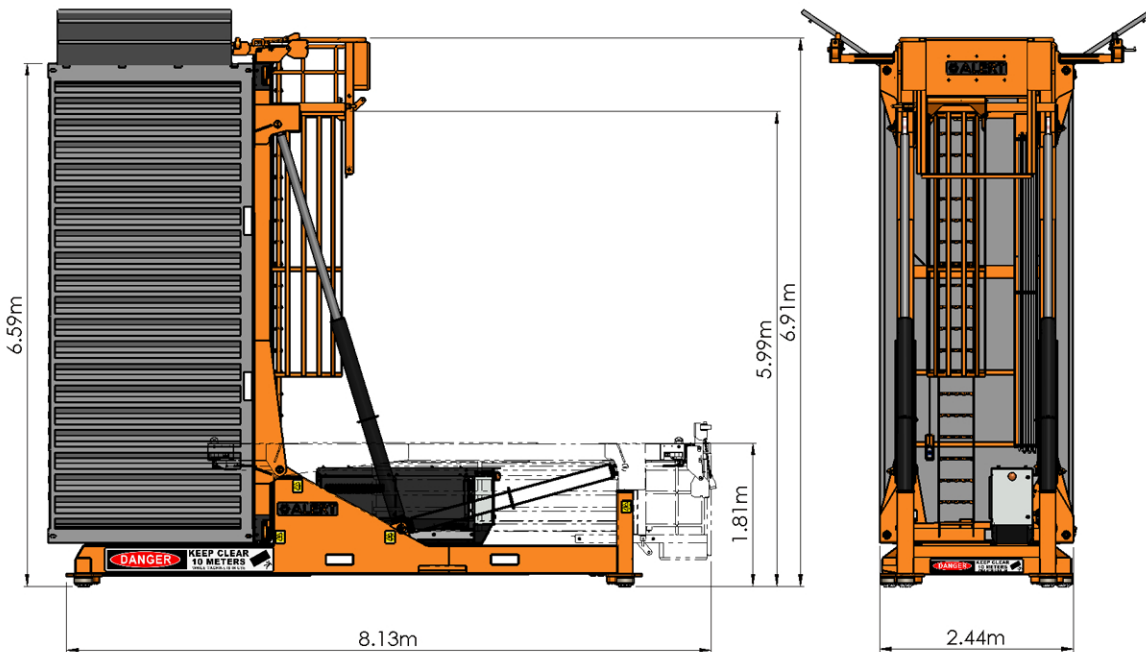
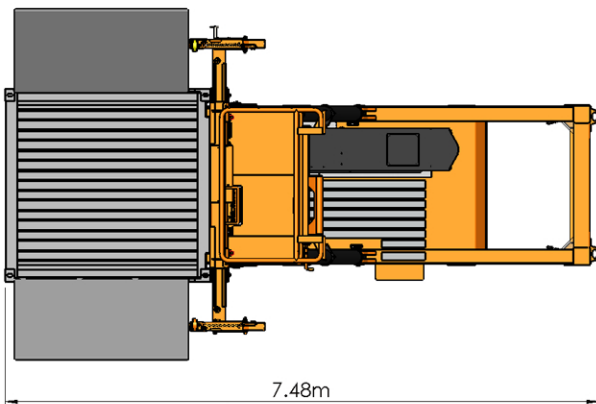
# ACT9020

## 20ft Container Tilter

### Specifications:

Specifications	Metric
Container size:	ISO 20 ft
Maximum container weight:	30 tonnes
Footprint:	9m L x 4m W x 7m H
Lifting angle:	0 to 90 degrees
Power options:	19.5 kW Diesel 18.5 kW Electric
Hydraulic fluid capacity:	110 litres
Shipping weight (dry):	9.5 tonnes

(Ships on a 40' Flat Rack - no on-site assembly required)



**ALERT**  
ENGINEERING LTD

Engineering a better future for you and the environment

Street Address:  
2/17 Olive Road  
Penrose  
Auckland 1061  
NEW ZEALAND

Postal Address:  
PO Box 58-411  
Botany  
Manukau 2163  
NEW ZEALAND

Contact Details:  
P: +64 9 573 1008  
E: sales@alertnz.com  
www.alertnz.com