

Introducing the new economy shear
TS Eco[®]Cut – your entry into
scrap processing





Strengthen your business with our expertise.

TS Eco®Cut – the versatile solution for a wide range of scrap.

“Robust and dependable, the Eco Line from Metso Recycling ensures a solid return on your investment, with the right balance of economy and processing capability from a trusted name.”

Backed up by decades of experience in providing reliable metal recycling solutions, the new TS Eco®Cut scrap shear gives you a solid base for success.”

Cut costs while cutting scrap

Versatile and functional, the new TS Eco®Cut can process a wide range of scrap types and meets any small to medium capacity demand. There are plenty of options to tailor the TS Eco®Cut to your needs.

Design features

Choose between different pre-compression options and take advantage of the modular design and advanced hydraulic management.

Innovative pre-compression:

- Box with lid and side compression
- Overstroke for good pre-compaction and reduced wear during cutting
- Choice of 1 m or 1.5 m wide lid, to customize the machine performance to your specific requirements

Modular design for extra flexibility

The large bed weldments are split into separate modules for easier handling during erection and lower transportation costs.

Intelligent hydraulic management for efficient processing

The hydraulic drive concept is proven advanced technology. High quality hydraulic components assure optimum performance of the compact drive station. The intelligent control system brings performance and energy consumption into perfect balance.

Metso Recycling's top regional service is also built in

New equipment installation, repairs, retrofits, and performance enhancements are all part of our service and support program. With this expertise at your disposal you can stay ahead of the competition.

Key benefits:

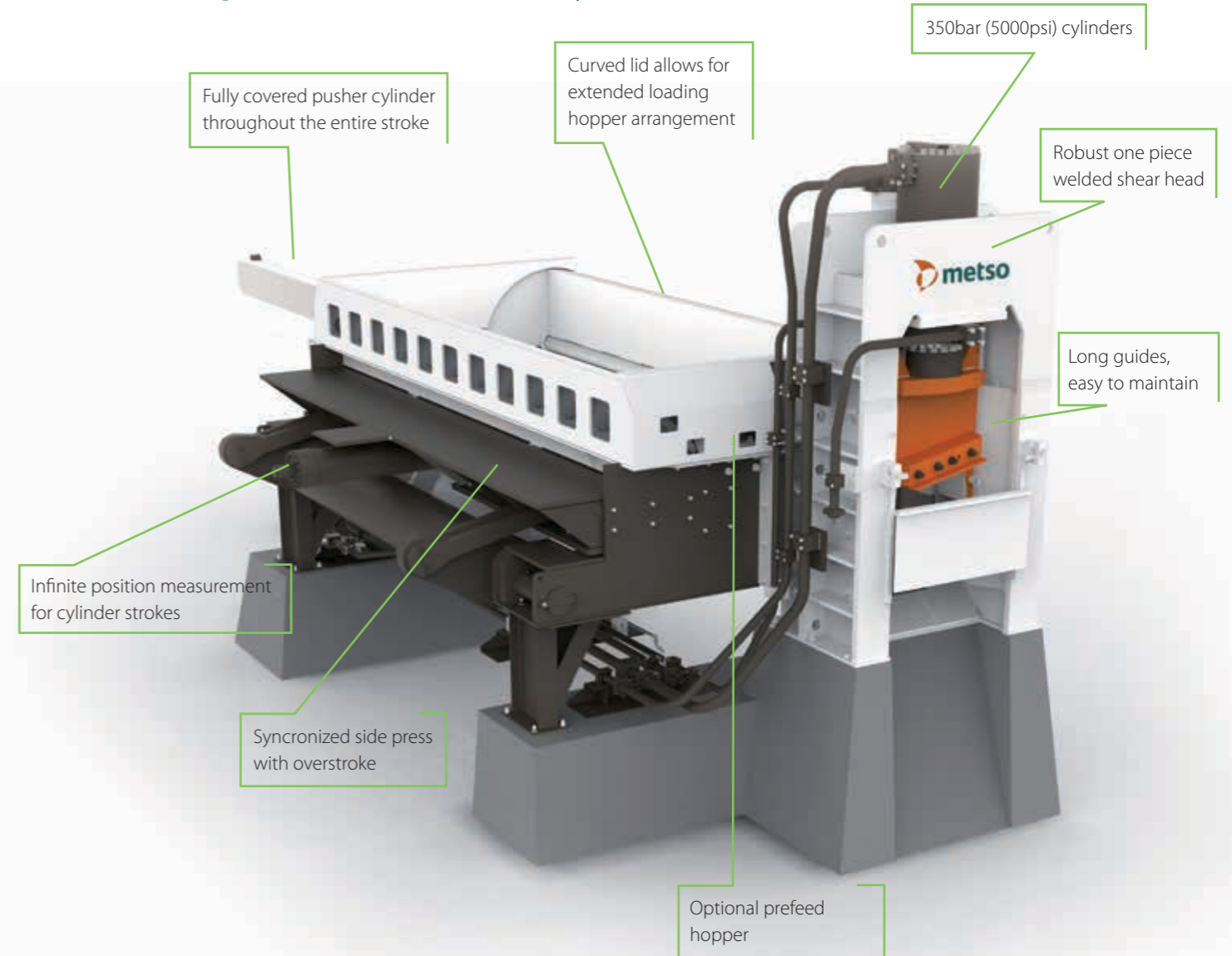
- Medium sized shear with ability to process a wide range of scrap types
- Low investment and fast payback due to an economical design approach
- Optimized for small to medium capacity demands
- Plenty of options to tailor the machine to your needs
- Metso Recycling's service provided by local professionals

Processing capacities-TS Eco®Cut

Shear force	t (sht)	1000 (1100)
Blade width	mm (inch)	800 (31)
Stamper force	t (sht)	200 (220)
Side compression force	t (sht)	250 (275)
Lid force (mid)	t (sht)	200 (220)
Pusher force	t (sht)	90 (100)
Feed opening (l x w x h)	mm (inch)	7500 x 2300 x 1600 (295 x 90 x 63)
Drive	kW (HP)	3 x 110 (150) 4 x 110 (150)
Throughput	T/h (sht)	Up to 30 (33) Up to 34 (37)

Readily available for your scrap operation.

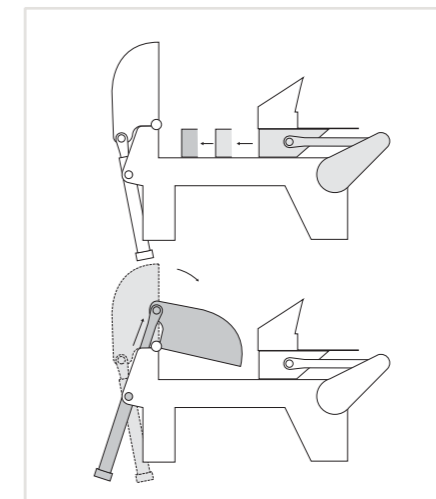
The right features for your success.



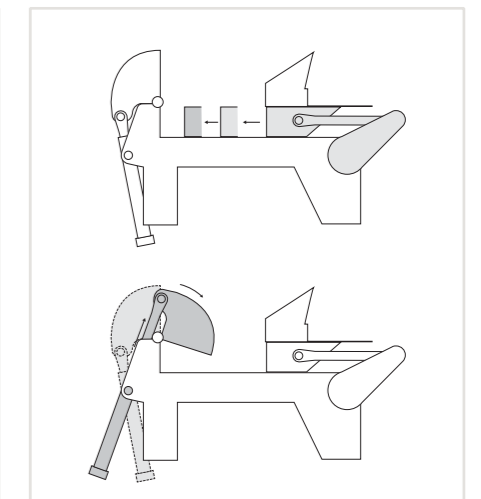
Select your options

- Hopper extension for integrated pre-feeding
- Wide lid
- Tank heating
- Increased cooling capacity for operation in hot climates
- Modem for data transmission and remote service
- Control cabin with optional air-conditioning
- Integration of scrap discharge belt

Please contact us to assess your current situation.



Wide lid for fast processing of light scrap



Short lid for processing of bulky, heavy scrap

Metso Recycling Equipment

Our range:

Pre-Shredders
Shredders
Shredder Plants
Metal Crushers

Scrap Shears
Turnings Crushers
Briquetting Presses
Double Screw Presses
Anode Crushers

Screen Drums
Scrap Baling Presses
Waste Fine Shredders
Waste Pre Shredders

Metso Recycling Services

Uptime Services

Inspection Services
Parts Services
Repair and Refurbishment Services
Troubleshooting Services

Performance Services

Process Monitoring Services
Process Optimization Services
Training Services
Upgrade Services

Project and Engineering Services

Start-up Services
Health, Safety and Environmental Services
Engineering Services
Plant Relocation Services

Metso Minerals, Austria

1230 Wien
Tel.: +43 18 13 65 080
E-Mail: recycling.info.at@metso.com

Metso Lindemann, Germany

40231 Düsseldorf
Tel.: +49 211 21 05 0
E-Mail: recycling.info.de@metso.com

Metso Minerals, Singapore

Singapore 339411
Tel.: +65 6508 9260
E-Mail: recycling.info.sg@metso.com

N.V. Metso Minerals, Belux

1702 Groot-Bijgaarden
Tel.: +32 24 81 09 60
E-Mail: recycling.info.be@metso.com

Metso Minerals, India

Mumbai - 400710
Tel.: + 91 22 39130100
E-Mail: recycling.info.in@metso.com

Metso Minerals, South Africa

Isando, 1600
Tel.: +27 11 961 4000
E-Mail: recycling.info.za@metso.com

Metso Brasil Indústria e Comércio, Brazil

18087-050 Sorocaba, SP
Tel.: +55 15 2102 1300
E-Mail: recycling.info.br@metso.com

Metso Minerals, Japan

Yokohama 222-0033
Tel.: +81 45 476 3935
E-Mail: recycling.info.jp@metso.com

Metso Minerals, Spain

28032 Madrid
Tel.: +34 91 82 55 700
E-Mail: recycling.info.es@metso.com

Metso Minerals, China

Beijing Branch
Chao Yang District, Beijing 100022
Tel.: +86 10 6566 6600
E-Mail: recycling.info.cn@metso.com

Metso Automation, Korea

Seocho-gu Seoul
Tel.: +82 (0) 2-582-1507
E-Mail: recycling.info.kr@metso.com

Metso Minerals, Sweden

261 62 Glumslöv
Tel.: +46 706 24 55 70
E-Mail: recycling.info.se@metso.com

Metso Minerals, Czech Republic

628 00 Brno
Tel.: 00420 544 425 527
E-Mail: recycling.info.cz@metso.com

Metso Mexico, Mexico

CP 36541 Irapuato, Gto.
Tel.: +52 871 791 2180
E-Mail: recycling.info.mx@metso.com

Metso Dis Ticaret, Turkey

06370 Ankara
Tel +90 312 387 3600
E-Mail: recycling.info.tr@metso.com

Metso Denmark, Denmark

8700 Horsens
Tel.: +45 45 7626 6400
E-Mail: recycling.info.dk@metso.com

Metso Minerals, Netherlands

3316 GC Dordrecht
Tel.: +31 78 61 86 888
E-Mail: recycling.info.nl@metso.com

Metso Minerals, UK

Rugby, Warwickshire, CV21 1QJ
Tel.: +44 17 88 53 22 55
E-Mail: recycling.info.uk@metso.com

Metso Minerals, Finland

01740 Vantaa
Tel.: +358 20 48 45 200
E-Mail: recycling.info.fi@metso.com

Metso Minerals, Poland

40246 Katowice
Tel.: +48 32 253 07 29
E-Mail: recycling.info.pl@metso.com

Metso Minerals Industries, USA

San Antonio, TX 78216
Tel.: +1 210 491 9521
E-Mail: recycling.info.us@metso.com

Metso Minerals, France

71009 Mâcon Cedex
Tel.: +33 3 85 39 62 00
E-Mail: recycling.info.fr@metso.com

ZAO Metso Minerals (CIS), Russia

109240 Moscow
Tel.: +7 495 915 73 64
E-Mail: recycling.info.ru@metso.com

www.metso.com/recycling

We reserve the right to make changes and improvements without notice, TS Eco*Cut, Metso Corporation, June 2013