

Crushers from Metso Recycling
Lindemann Eta®Crush



The Lindemann Eta®Crush has distinctive new advances

For decades the development of metal shredders has been one of our strengths. The Eta®Crush series is a result of our expertise – a compact shredder with an inspiring range of new, distinctive features.

- It crushes the widest variety of scrap metal efficiently and inexpensively.
- It fits easily into Metso Recycling's modular metal recycling plant and processes aluminum, electronic and various types of steel scrap economically with no extra modifications and no high labor requirements.
- In terms of the processing quantities and types of scrap it processes, it can grow with your company.





metso

Lindemann Eta® Crusher

Features & Benefits

The unique design gives the machine great advantage

With the development of the Lindemann Eta®Crush, even smaller metal shredders with a driving capacity of 250 to 750 kW display refinements which have a highly favorable effect on specific energy consumption, throughput, size of fragmentation and wear and maintenance conditions.

Optimum double-grid / anvil combination

This design helps to reduce power consumption while at the same time increasing throughput.

Special material and air guidance

This has a positive effect on power consumption and reduces the costs for a dust-extraction system to a minimum.

Hydraulic removal of coarse pieces

Solid pieces that cannot be crushed are removed during the crushing process without interruption – and without crossing the material flow again.

Hydraulic locking of rotor bearing

This optional device enables the rotor to escape in the event of solid pieces getting between the rotor and the housing bottom. This keeps damage to the rotor to a minimum. You can add this feature at a later stage.

Special speed control of the rotor

The new optional available speed control of the rotor offers operators excellent processing flexibility. Degree of fragmentation, material disintegration and wear can all be optimized for the widest variety of scrap metal.

Electronically controlled water injection

This is recommended for shredding without dust extraction. It clearly reduces or even prevents the mission of „blue smoke“ when oily materials are being processed. You can add this feature at a later stage.

Effective wear and maintenance prevention

The tiltable housing, Metso Recycling's long-life caps that are used to protect the hammer shafts and rotor disks, the special wear protection of housing parts that are subject to heavy loads, the design and arrangement of wear protection elements, and the nature and arrangement of their fixtures, all help to keep the costs for wear and maintenance to an absolute minimum.

Hydraulic locking for housing

This optional extra ensures quick and easy opening of the center and top parts of the housing, either at the same time or separately. It may also be fitted at a later stage.

Rotor lifting device

To facilitate access to the bottom parts of the machine, the rotor can be lifted together with the center part of the housing.

Hydraulic device for disassembly of hammer axles

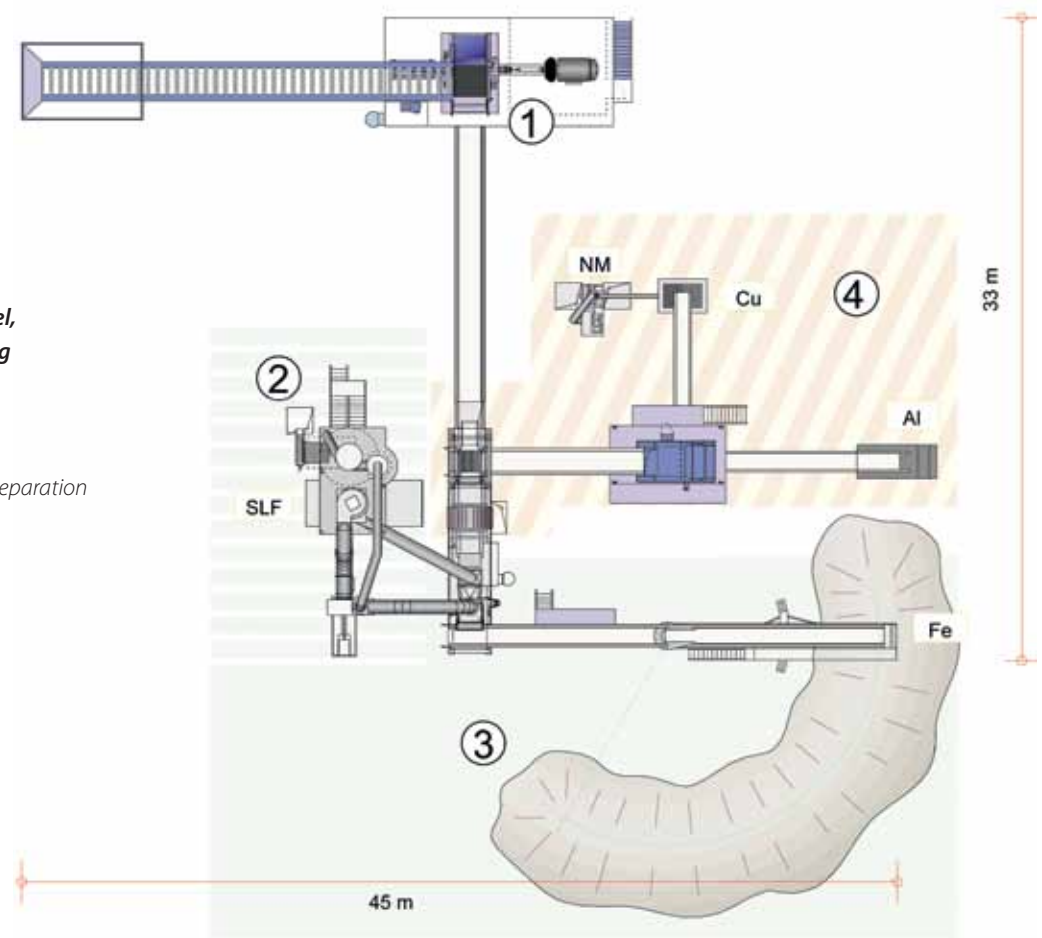
Facilitates and speeds up exchange of the hammers and hammer axles. This feature is optional.

PLC phone diagnosis and software updates via phone

With this optional service we offer prompt aid in operational and fault diagnosis. Our service engineer can solve electronics and software problems without delay. Moreover, the right expert and the necessary spare part can be identified for the mechanical side.

Modular Eta[®]Crush plant for steel, aluminum and copper processing

- ① Lindemann Eta[®]Crush 150x160
- ② Shredder fluff separation
- ③ Steel scrap separation
- ④ Aluminum/copper/non-metal separation



The Metso logo is displayed on a grey rectangular panel. It features a stylized orange and red 'M' icon to the left of the word 'metso' in a green, lowercase, sans-serif font.

metso

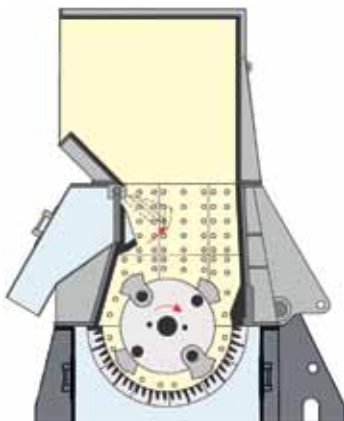


Features & Benefits

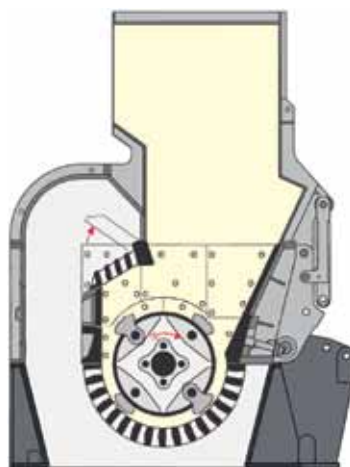
Proven technology for efficient crushing

Our metal crushers in the Lindemann Eta®Crush series have proved to be ideal, in a wide variety of applications, for the selective pre- and re-crushing of scrap metal. They are excellent at material disintegration, perform efficiently and with low specific energy consumption, offer maximum availability and ease of maintenance, and are highly immune to solid pieces.

Our intelligent, optimum-cost solutions, wide range of products and many years of experience enable us to provide you with the safety you need for an efficient, economic metal crushing process.



Lindemann Eta®Crush 150x100



Lindemann Eta®Crush 150x160

Metso Recycling Equipment

Our range:

Pre-Shredders
Shredders
Shredder Plants
Metal Crushers

Scrap Shears
Turnings Crushers
Briquetting Presses
Double Screw Presses
Anode Crushers

Screen Drums
Scrap Baling Presses
Waste Fine Shredders
Waste Pre Shredders

Metso Recycling Services

Uptime Services

Inspection Services
Parts Services
Repair and Refurbishment
Troubleshooting Services

Performance Services

Process Monitoring Services
Optimization Services
Upgrade Services
Training Services

Project and Engineering Services

Start-up Services
Health, Safety and Environmental Services
Engineering Services
Plant Relocation Services

Metso Minerals, Austria

1230 Wien
Tel.: +43 18 13 65 080
E-Mail: recycling.info.at@metso.com

N.V. Metso Minerals, Belux

1702 Groot-Bijgaarden
Tel.: +32 24 81 09 60
E-Mail: recycling.info.be@metso.com

Metso Brasil Indústria e Comércio

18087-050 Sorocaba, SP
Tel.: +55 15 2102 1300
E-Mail: recycling.info.br@metso.com

Metso Automation, Shanghai

Beijing Branch
Chao Yang District, Beijing 100022
Tel.: +86 10 6566 6600
E-Mail: recycling.info.cn@metso.com

Metso Minerals s.r.o., Czech Republic

628 00 Brno
Tel.: 00420 544 425 527
E-mail: recycling.info.cz@metso.com

Metso Denmark

8700 Horsens
Tel.: +45 45 7626 6400
E-mail: recycling.info.dk@metso.com

Metso Minerals, Finland

01740 Vantaa
Tel.: +358 20 48 45 200
E-Mail: recycling.info.fi@metso.com

Metso Minerals, France

71009 Mâcon Cedex
Tel.: +33 3 85 39 62 00
E-Mail: recycling.info.fr@metso.com

Metso Lindemann, Germany

40231 Düsseldorf
Tel.: +49 211 21 05 0
E-Mail: recycling.info.de@metso.com

Metso Recycling Business Line, India

Mumbai - 400710
Tel.: +91 22 39130100
E-mail: recycling.info.in@metso.com

Metso Minerals, Japan

Yokohama 222-0033
Tel.: +81 45 476 3935
E-Mail: recycling.info.jp@metso.com

Metso Recycling Business Line, Korea

Seocho-gu Seoul
Tel.: +82 (0) 2-582-1507
E-Mail: recycling.info.kr@metso.com

Metso Mexico S.A. de C.V.

CP 36541 Irapuato, Gto.
Tel.: +52 871 791 2180
E-mail: recycling.info.mx@metso.com

Metso Minerals, Netherlands

3316 GC Dordrecht
Tel.: +31 78 61 86 888
E-Mail: recycling.info.nl@metso.com

Metso Minerals (Poland) Sp.z.o.o.

40246 Katowice
Tel.: +48 32 253 07 29
E-mail: recycling.info.pl@metso.com

ZAO "Metso Minerals (CIS)", Russia

109240 Moscow
Tel.: +7 495 915 73 64
E-Mail: recycling.info.ru@metso.com

Metso Automation Singapore Pte Ltd

Singapore 339411
Tel.: +65 6511 1011
E-mail: recycling.info.sg@metso.com

Metso Minerals, South Africa

Isando, 1600
Tel.: +27 11 961 4000
E-Mail: recycling.info.za@metso.com

Metso Minerals, Spain

28032 Madrid
Tel.: +34 91 82 55 700
E-Mail: recycling.info.es@metso.com

Metso Minerals, Sweden

261 62 Glumslöv
Tel.: +46 706 24 55 70
E-Mail: recycling.info.se@metso.com

Metso Diş Tic. Ltd. Şti., Turkey

06370 Ankara
Tel.: +90 312 387 3600
E-mail: recycling.info.tr@metso.com

Metso Recycling Business Line, UK

Rugby, Warwickshire, CV21 1QJ
Tel.: +44 17 88 53 22 55
E-Mail: recycling.info.uk@metso.com

Metso Minerals Industries, USA

San Antonio, TX 78216
Tel.: +1 210 491 9521
E-Mail: recycling.info.us@metso.com