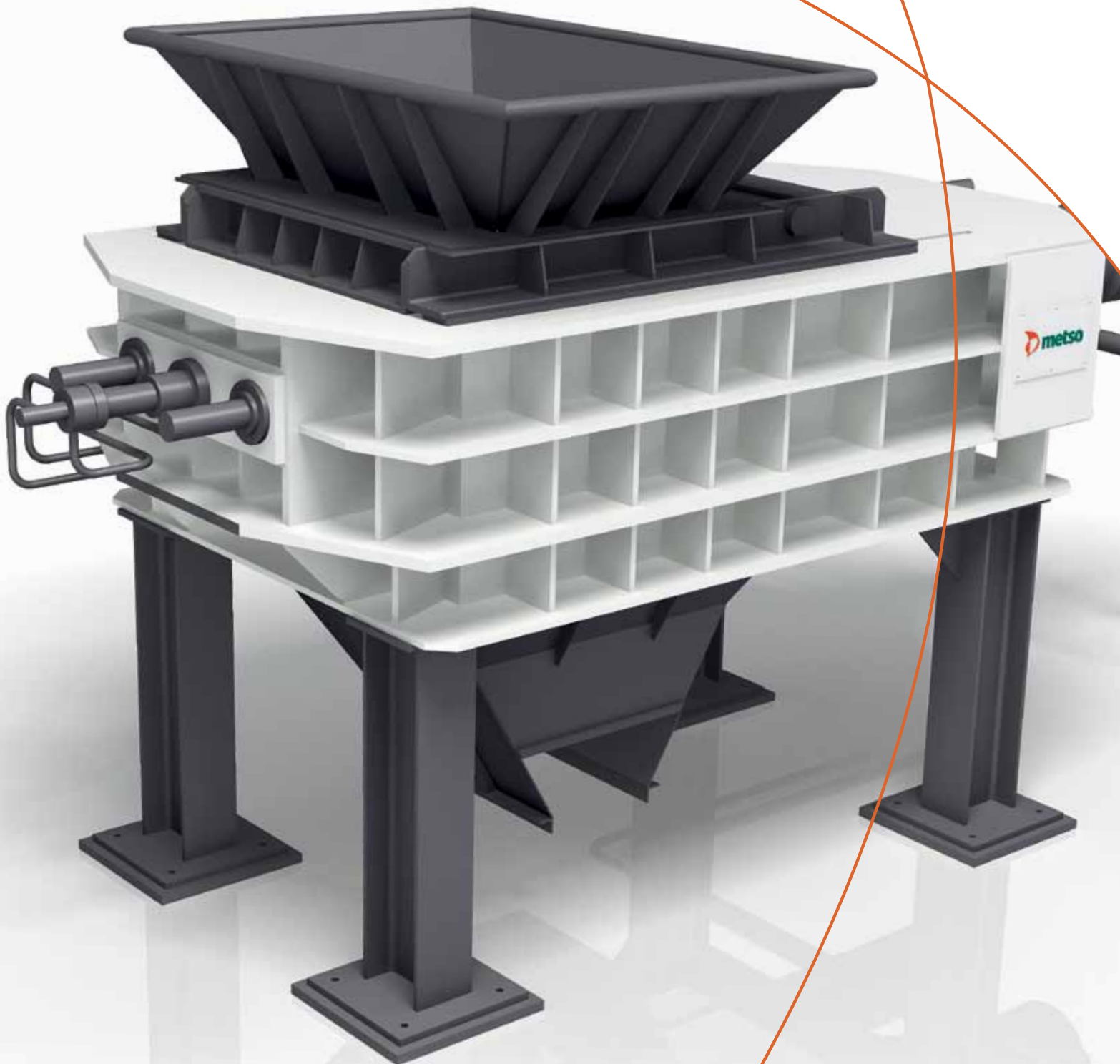


Anode Crushers from Metso Recycling
Lindemann Eta[®]AnodeCrush



Lindemann Eta[®]AnodeCrush

The hydraulically operated anode crusher for anode butts from aluminum electrolysis, or for whole baked or green waste anodes for reuse as material in anode coal mills.

In the crusher the anode butts or waste anodes are crushed between a fixed and an oil-hydraulically operated crusher platen. Both platens are equipped with special tools made of highly wear-resistant material.

The bottom of the crushing zone is built as a grid so that the crushed material can fall out in a continuous stream.

Key Advantages

Automatic sequence of crushing operations.

No impact or grinding effect during crushing of the anodes, so wear and tear of crushing tools and crusher zone lining are kept to the minimum.

Little dust formation.

Number of strokes for crushing procedure can be adjusted according to requirements for the material to be processed.

Finer or coarser final granulation can also be achieved by different designs of crushing tools and bottom grid outlets.

Percentage distribution of anode grain sizes

85 %	0 – 150 mm
13 %	150 – 300 mm
2 %	> 300 mm

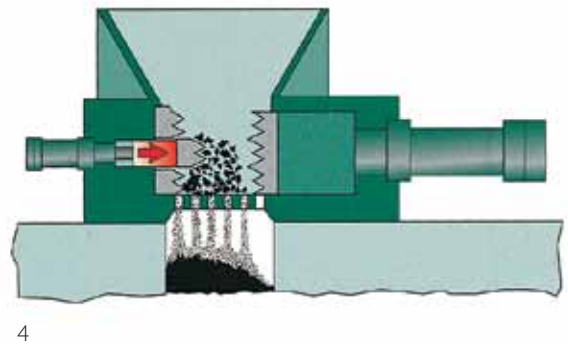
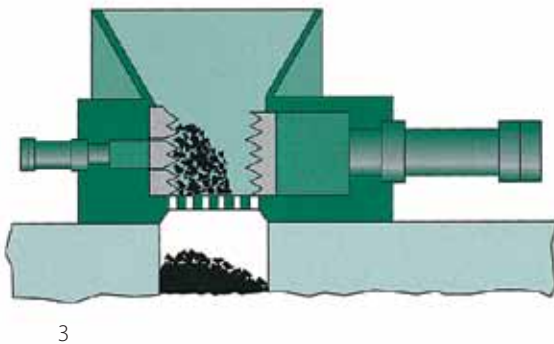
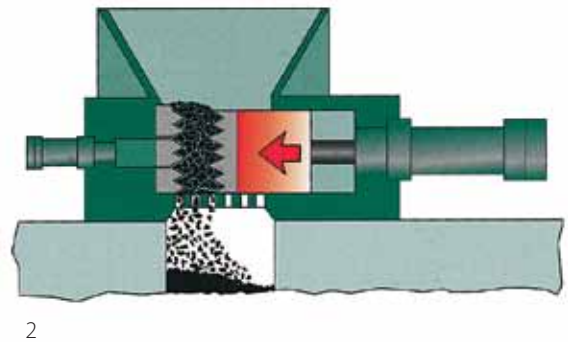
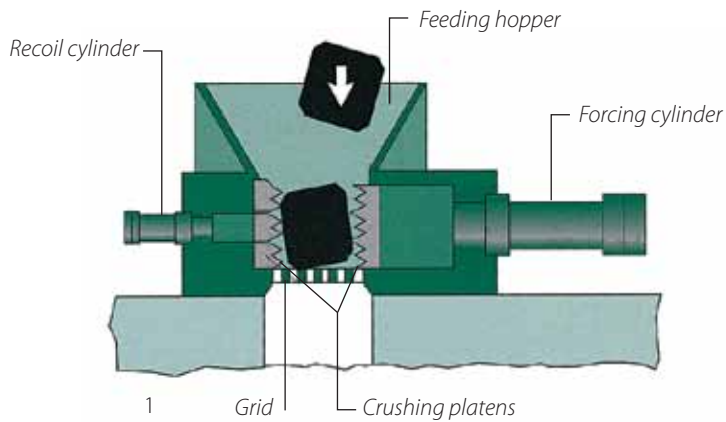


How does it work?

- 1 Crushing zone is filled
- 2 Forcing cylinder with crusher stamp crushes the anode butts between the crushing platens
- 3 The material accumulated in front of the fixed crusher platen
- 4 The crusher platen pushed back into the crushing zone and distributed by the middle part of the platen.

Metso Recycling has a wide range of solutions for the aluminum industry

- Lindemann Eta®Shred (Shredder)
- Lindemann Eta®Briq (Briguetting)
- Lindemann Eta®AnodeCrush
- Lindemann Eta®Press (Balers)
- Lindemann Eta®Cut (Shears)
- Lindemann Eta®Crush (Crushers)



Metso Recycling Equipment

Our range:

Pre-Shredders
Shredders
Shredder Plants
Metal Crushers

Scrap Shears
Turnings Crushers
Briquetting Presses
Double Screw Presses
Anode Crushers

Screen Drums
Scrap Baling Presses
Waste Fine Shredders
Waste Pre Shredders

Metso Recycling Services

Uptime Services

Inspection Services
Parts Services
Repair and Refurbishment
Troubleshooting Services

Performance Services

Process Monitoring Services
Optimization Services
Upgrade Services
Training Services

Project and Engineering Services

Start-up Services
Health, Safety and Environmental Services
Engineering Services
Plant Relocation Services

Metso Minerals, Austria

1230 Wien
Tel.: +43 18 13 65 080
E-Mail: recycling.info.at@metso.com

N.V. Metso Minerals, Belux

1702 Groot-Bijgaarden
Tel.: +32 24 81 09 60
E-Mail: recycling.info.be@metso.com

Metso Brasil Indústria e Comércio

18087-050 Sorocaba, SP
Tel.: +55 15 2102 1300
E-Mail: recycling.info.br@metso.com

Metso Automation, Shanghai

Beijing Branch
Chao Yang District, Beijing 100022
Tel.: +86 10 6566 6600
E-Mail: recycling.info.cn@metso.com

Metso Minerals s.r.o., Czech Republic

628 00 Brno
Tel.: 00420 544 425 527
E-mail: recycling.info.cz@metso.com

Metso Denmark

8700 Horsens
Tel.: +45 45 7626 6400
E-mail: recycling.info.dk@metso.com

Metso Minerals, Finland

01740 Vantaa
Tel.: +358 20 48 45 200
E-Mail: recycling.info.fi@metso.com

Metso Minerals, France

71009 Mâcon Cedex
Tel.: +33 3 85 39 62 00
E-Mail: recycling.info.fr@metso.com

Metso Lindemann, Germany

40231 Düsseldorf
Tel.: +49 211 21 05 0
E-Mail: recycling.info.de@metso.com

Metso Recycling Business Line, India

Mumbai - 400710
Tel.: +91 22 39130100
E-mail: recycling.info.in@metso.com

Metso Minerals, Japan

Yokohama 222-0033
Tel.: +81 45 476 3935
E-Mail: recycling.info.jp@metso.com

Metso Recycling Business Line, Korea

Seocho-gu Seoul
Tel.: +82 (0) 2-582-1507
E-Mail: recycling.info.kr@metso.com

Metso Mexico S.A. de C.V.

CP 36541 Irapuato, Gto.
Tel.: +52 871 791 2180
E-mail: recycling.info.mx@metso.com

Metso Minerals, Netherlands

3316 GC Dordrecht
Tel.: +31 78 61 86 888
E-Mail: recycling.info.nl@metso.com

Metso Minerals (Poland) Sp.z.o.o.

40246 Katowice
Tel.: +48 32 253 07 29
E-mail: recycling.info.pl@metso.com

ZAO "Metso Minerals (CIS)", Russia

109240 Moscow
Tel.: +7 495 915 73 64
E-Mail: recycling.info.ru@metso.com

Metso Automation Singapore Pte Ltd

Singapore 339411
Tel.: +65 6511 1011
E-mail: recycling.info.sg@metso.com

Metso Minerals, South Africa

Isando, 1600
Tel.: +27 11 961 4000
E-Mail: recycling.info.za@metso.com

Metso Minerals, Spain

28032 Madrid
Tel.: +34 91 82 55 700
E-Mail: recycling.info.es@metso.com

Metso Minerals, Sweden

261 62 Glumslöv
Tel.: +46 706 24 55 70
E-Mail: recycling.info.se@metso.com

Metso Dış Tic. Ltd. Şti., Turkey

06370 Ankara
Tel.: +90 312 387 3600
E-mail: recycling.info.tr@metso.com

Metso Recycling Business Line, UK

Rugby, Warwickshire, CV21 1QJ
Tel.: +44 17 88 53 22 55
E-Mail: recycling.info.uk@metso.com

Metso Minerals Industries, USA

San Antonio, TX 78216
Tel.: +1 210 491 9521
E-Mail: recycling.info.us@metso.com

www.metso.com/recycling

We reserve the right to make changes and improvements without notice, „Eta© AnodeCrush“, Metso Recycling, June 2012