



ALERT
ENGINEERING CO LTD

AHR16 & 20

16 & 20 Tonnes Rear Hook Loaders



The AHR Rear Hook Loaders are designed and manufactured by Alert and offer outstanding Quality, Reliability, Performance and Stability features.

The AHR Loaders are manufactured using the latest technologies in design, manufacturing and materials. The main frame & lifting components are CNC machined after fabrication ensuring closer tolerances in component fit.

The Hydraulic Cylinders feature the latest sealing technologies for longer trouble-free service life. The hoses are exclusive Eaton / Aeroquip Global System.

- ✓ FIRST IN QUALITY
- ✓ HIGH PRODUCTIVITY
- ✓ SMOOTH OPERATION
- ✓ TOMORROWS DESIGN

Alert Engineering Co Ltd have over 30 years experience in the design, manufacture and servicing of Transport Solutions. We manufacture a large range of Ferrous and Non-Ferrous Balers, Shears, Compactors, Scrap Metal Industry Related Equipment, etc.

With In-house State of the Art Design, Development and Manufacture our expertise is second to none.

ALERT - Diversity in Engineering

For more information contact:



ALERT
ENGINEERING CO LTD

7 Gabador Place, Mt Wellington,
PO Box 58-411, Greenmount
Auckland, New Zealand

Or, visit our website:

WWW.ALERTNZ.COM

Phone: ++64 - 9 - 573 1008

Fascimile: ++64 - 9 - 573 1004

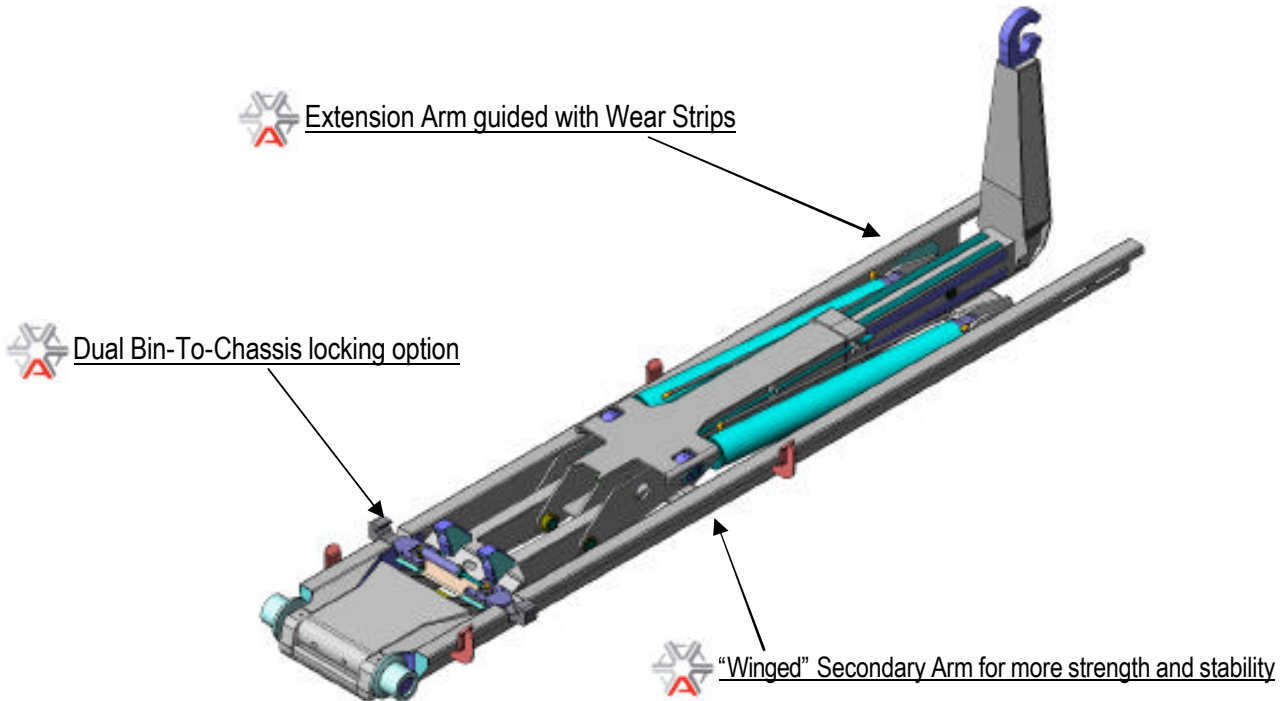
E-mail: sales@alertnz.com



ALERT
ENGINEERING LTD

AHR16 & 20

16 & 20 Tonnes Rear Hook Loaders



Specifications

	AHR16	AHR20
Maximum Payload (including bin):	16,000 Kg	20,000 Kg
Maximum Bin Length:	6,500mm	6,500mm
Maximum Tipping Angle:	50°	50°
Hydraulic Operating Pressure:	210 Bar (3,050 Psi)	270 Bar (3,920 PSI)
Hydraulic Pump Rating (recommended):	80LPM @ 1,000 RPM	80LPM @ 1,000 RPM
Length Over All (Arm extended):	6,044mm	6,044mm
Overall Height:	1,783mm	1,783mm
Maximum Width (locks extended):	1,348mm	1,348mm
Suits Bin Hook Height:	1,430-1,500mm	1,430mm-1,500mm
Approximate Dry Weight:	2,800 Kg	2,800 Kg

(All Weights and Dimensions are approximate and subject to tolerances.)

Due to the Alert Engineering Co Ltd' continuous product improvements, specifications and dimensions may change without notice. Alert Engineering Co. Ltd shall not be held responsible for any errors in their catalogues, brochures or any other printed material.

For more information contact:



7 Gabador Place, Mt Wellington,
PO Box 58-411, Greenmount
Auckland, New Zealand

Visit our website:

WWW.ALERTNZ.COM

Phone: ++64 - 9 - 573 1008

Fascimile: ++64 - 9 - 573 1004

E-mail: sales@alertnz.com