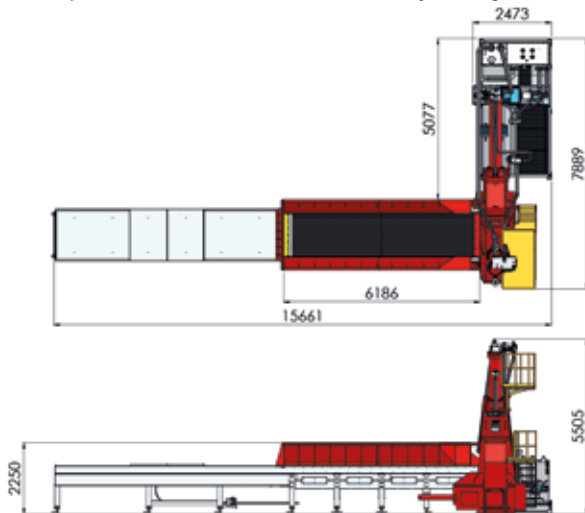




Specifications:

Dimensions	Metric	US
Loading hopper (L x W):	6000 mm x 1400 mm	19' 8" x 55"
Chamber size (W x D x L):	550 mm x 1300 mm x 1715 mm	22" x 51" x 68"
Bale size (W x D x L):	550 mm x 250 mm x variable	22" x 10" x variable
Shearing force:	195 tonnes	215 tons
Packing pressure:	262 Bar	3800 psi
Face pressure:	137 Bar	2012 psi
Auto cycle speed (approx.):	40 seconds (depending on product)	
Output – Steel:	5 - 7 tonnes plus per hour	5.5 - 7.5 tons per hour
Output - Aluminium:	1.5 - 2.5 tonnes per hour	1.65 - 2.57 tons per hour
Power requirements:	90 kW	120 Hp
Power:	415 VAC 50 Hz 3 Phase	460 VAC 60 Hz 3 Phase
Air supply:	7 Bar	100 PSI
Hydraulic oil (ISO 46):	1800 litres	475 gallons
Shipping weight (approx.):	52 tonnes	57 tons
Shipping dimensions:	1 x 20 ft open top, over height and 2 x 40 ft open top ISO containers	
Installed footprint (l x w x h):	16000 mm x 7700 mm x 5500 mm	52' 6" x 25' 3" x 18'
Equipment supplied: Operation and service manual. Machine shipped dry.		
Warranty: 12 months materials and labour.		

Note: Specifications and dimensions may change without notice.



Your local agent:



For more scrap processing equipment visit our website www.alertnz.com



Engineering a better future for you and the environment

Street Address:
7 Gabador Place
Mount Wellington
Auckland 1060
NEW ZEALAND

Postal Address:
PO Box 58-411
Botany
Manukau 2163
NEW ZEALAND

Contact Details:
P: +64 9 573 1008
F: +64 9 573 1004
E: sales@alertnz.com
www.alertnz.com



AGP200 Baling Press

Processes light scrap into high density bales in one process

Take control of your scrap by quickly turning it into easily stacked and shipped bales in one process. Increase profits by increasing throughput and reducing labour costs. Developed from over thirty years experience in building scrap processing equipment the AGP 200 combines three operations into one compact machine.

The AGP 200 gives you:

High output

- 5 - 7 plus tonnes per hour light gauge steel
- 1.5 - 2.5 plus tonnes per hour aluminium
- Fast cycle times
- Efficient loading hopper – can be loaded at any stage of the cycle
- Only requires one person to operate

Reliability

- Uses quality hydraulic and electrical components
- Quality steel shear blades for maximum life
- 500 brinell hardened steel wear liners
- All wear parts are replaceable

Compact bales

- Won't fall apart
- Easy handled bale size for stacking
- Convenient bale sizes for foundries
- Easily exceed shipping container maximum weights





Alert AGP200 Baling Press

Design features

- Easily operated by just one person - High productivity
- Replaceable wear liners in the compression chamber for longevity
- Small footprint for maximum use of factory space
- Programmable automatic lubrication for low maintenance
- Hydraulic pressure, oil temperature, hydraulic oil levels and filter alarms displayed on control panel
- Shipped in three containers and assembled on site for low delivery costs
- Minimal site preparation required for low installation costs

Options

- Over-size hopper
- Automated stacking and palletising
- Wireless remote control
- Custom size bales

Side loader

A six metre long hopper can take full lengths of aluminium extrusion - no pre-cutting required
Full length stroke of pusher - no off-cuts left behind in the hopper
The pusher and base is designed to prevent scrap jamming under the ram - low maintenance and low wear
Programmable feed - infinitely adjustable, fully automatic or manual feed to suit type of material

Shear

1400 mm wide blade - cuts a full load in one go
Hold down arm keeps the material in the hopper for extra safety
Adjustable blade gap - compensates for blade wear and sharpening
Four edged blade - can be rotated four times before sharpening



Press

Compression ram generates 2012 PSI face pressure – making a high density bale
500 brinell hardened wear plates – low wear

Replaceable wear surfaces for long term reliability

Oversize exit door for easy ejection of material if chamber is overloaded

Programmable oil spray to stop material sticking to surfaces and for increased wear plate life

Controls

Controlled by Alert / Allen Bradley touch screen control and two joysticks – easy to operate

Wireless remote control (option)
– complete operation can be controlled by one operator

Remote diagnostics (option) – connected direct to Alert help desk

Safety systems – developed to your specific requirements

Safety

- Emergency stop switches on both sides
- Interlocked controls to prevent misuse
- Key locked master switch
- Operator protection screen
- Over temperature and low oil alarms

